

C

PUMPS



USABLE OIL (cc)	MODEL NO.
● 350	P-235 Series
● 700	P-170 & P-270
● 1,000	P-2100H
● 2,000	P-2200 Series
● 2,600	P-2600
● 8,000	P-2800 Series
● 8,000+	Power Pumps

**HAND PUMP RESERVOIR CAPACITY TABLE**

**Single acting cylinder capacity (ton)**

Stroke (mm)	Capacity (ton)														
	5	10	12	15	20	25	30	50	60	75	100	150	200	250	300
15	●	●	●	●	●	●	●	●	●	●	●	●	●	●	●
25	●	●	●	●	●	●	●	●	●	●	●	●	●	●	●
50	●	●	●	●	●	●	●	●	●	●	●	●	●	●	●
75	●	●	●	●	●	●	●	●	●	●	●	●	●	●	●
100	●	●	●	●	●	●	●	●	●	●	●	●	●	●	●
125	●	●	●	●	●	●	●	●	●	●	●	●	●	●	●
150	●	●	●	●	●	●	●	●	●	●	●	●	●	●	●
175	●	●	●	●	●	●	●	●	●	●	●	●	●	●	●
200	●	●	●	●	●	●	●	●	●	●	●	●	●	●	●
225	●	●	●	●	●	●	●	●	●	●	●	●	●	●	●
250	●	●	●	●	●	●	●	●	●	●	●	●	●	●	●
300	●	●	●	●	●	●	●	●	●	●	●	●	●	●	●

**Double acting cylinder capacity (ton)**

Stroke (mm)	Capacity (ton)														
	5	10	12	15	20	25	30	50	60	75	100	150	200	250	300
15	●	●	●	●	●	●	●	●	●	●	●	●	●	●	●
25	●	●	●	●	●	●	●	●	●	●	●	●	●	●	●
50	●	●	●	●	●	●	●	●	●	●	●	●	●	●	●
75	●	●	●	●	●	●	●	●	●	●	●	●	●	●	●
100	●	●	●	●	●	●	●	●	●	●	●	●	●	●	●
125	●	●	●	●	●	●	●	●	●	●	●	●	●	●	●
150	●	●	●	●	●	●	●	●	●	●	●	●	●	●	●
175	●	●	●	●	●	●	●	●	●	●	●	●	●	●	●
200	●	●	●	●	●	●	●	●	●	●	●	●	●	●	●
225	●	●	●	●	●	●	●	●	●	●	●	●	●	●	●
250	●	●	●	●	●	●	●	●	●	●	●	●	●	●	●
300	●	●	●	●	●	●	●	●	●	●	●	●	●	●	●

\* 2,800 bar working pressure model

## THE P-SERIES MANUAL HAND PUMPS OFFER A WIDE CHOICE OF STEEL AND ALUMINIUM BODIED MODELS.

Ideally suited for applications where portable manual hydraulic power is required. All models feature low handle effort for easy operation and are engineered for demanding industrial applications. Models are available to operate single and double acting cylinders and tools.

All P-Series hand pumps include a factory set safety pressure relief valve and come pre-filled with hydraulic oil.

### SPECIFIC MODEL ADVANTAGES

- Drop forged pump head on models **P-170** and **P-270** for superior durability
- Unique oil reservoir breather incorporating a pressure relief valve to guard against accidental over pressurisation of the oil reservoir on models **P-2200**, **P-2200D** and **P-2260**
- Sealed bladder reservoir design on models **P-235A** and **P-235AT** allows operation in any position
- Twin outlet design pump head incorporating two needle valves on model **P-235AT**
- 2,800 bar working pressure model **P-2100H** can be used for bolt tensioning, bearing removal and high pressure testing



**C**  
**PUMPS**

OIL CAPACITY

**350 - 8,000 cc**

1ST STAGE FLOW RANGE

**3.1 - 113 cc**

MAXIMUM OPERATING PRESSURES

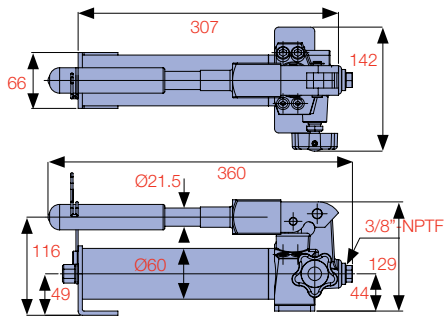
**240 / 700 / 2,800 bar**

### CYLINDER PISTON ROD SPEED TABLE

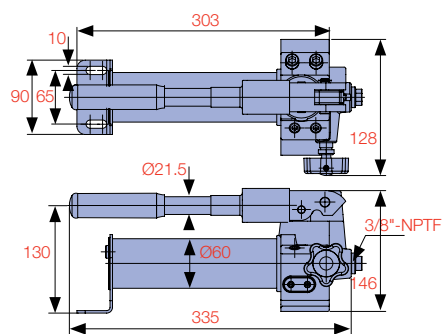
Model Number	Usable Oil (mL)	Pressure Stage	mm of movement for each stroke of the pump handle	Cylinder Capacity (ton)												
				5	10	15	20	25	30	50	75	100	150	200	250	
P-170	700	1st		5.0	2.1	1.5	1.1	0.9	0.7	-	-	-	-	-	-	
P-235A	350	1st		6.2	2.6	1.9	1.3	1.1	0.9	-	-	-	-	-	-	
		2nd		1.0	0.4	0.3	-	-	-	-	-	-	-	-	-	
P-235AT	350	1st		6.2	2.6	1.9	1.3	1.1	0.9	-	-	-	-	-	-	
		2nd		1.0	0.4	0.3	-	-	-	-	-	-	-	-	-	
P-235	350	1st		5.0	2.1	1.5	1.1	0.9	0.7	-	-	-	-	-	-	
		2nd		11.2	4.8	3.4	2.5	2.1	1.7	1.0	-	-	-	-	-	
P-2200A	2,000	1st		1.6	0.7	0.5	0.4	0.3	0.2	0.1	-	-	-	-	-	
		2nd		20.6	8.9	6.4	4.6	3.9	3.1	1.8	1.3	1.0	0.6	-	-	
P-2200AD	2,000	1st		4.5	1.9	1.4	1.0	0.8	0.7	0.4	0.3	0.2	0.1	-	-	
		2nd		20.6	8.9	6.4	4.6	3.9	3.1	1.8	1.3	1.0	0.6	-	-	
P-2100H	1,000	1st		3.7	1.6	1.1	0.8	0.7	0.5	0.3	0.2	0.2	0.1	-	-	
		2nd		20.8	9.0	6.4	4.6	3.9	3.1	1.8	-	-	-	-	-	
P-2200	2,000	1st		1.0	0.4	0.3	0.2	0.2	0.2	0.1	-	-	-	-	-	
		2nd		20.8	9.0	6.4	4.6	3.9	3.1	1.8	1.3	1.0	0.6	-	-	
P-2200D	2,000	1st		4.5	1.9	1.4	1.0	0.8	0.7	0.4	0.3	0.2	0.1	-	-	
		2nd		20.8	9.0	6.4	4.6	3.9	3.1	1.8	1.3	1.0	0.6	-	-	
P-235L	350	1st		4.5	1.9	1.4	1.0	0.8	0.7	0.4	0.3	0.2	0.1	-	-	
		2nd		4.5	1.9	1.4	1.0	0.8	0.7	0.4	0.3	0.2	0.1	-	-	
P-270	700	1st		20.8	9.0	6.4	4.6	3.9	3.1	1.8	1.3	1.0	0.6	-	-	
		2nd		4.5	1.9	1.4	1.0	0.8	0.7	0.4	0.3	0.2	0.1	-	-	
P-2260	2,600	1st		48.0	20.7	14.8	10.6	9.0	7.1	4.2	2.9	2.3	1.5	1.0	-	
		2nd		4.8	2.1	1.5	1.1	0.9	0.7	0.4	0.3	0.2	0.2	0.1	-	
P-2800	8,000	1st		180.8	78.1	55.7	40.0	34.0	26.9	15.9	11.0	8.5	5.6	4.0	3.1	
		2nd		6.4	2.8	2.0	1.4	1.2	1.0	0.6	0.4	0.3	0.2	0.2	0.1	
P-2800D	8,000	1st		180.8	78.1	55.7	40.0	34.0	26.9	15.9	11.0	8.5	5.6	4.0	3.1	
		2nd		6.4	2.8	2.0	1.4	1.2	1.0	0.6	0.4	0.3	0.2	0.2	0.1	



P-235



P-235L

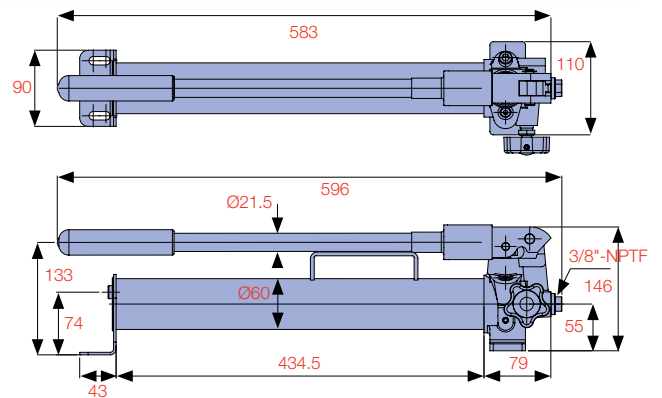


THE **P-SERIES** STEEL BODIED MANUAL HAND PUMP RANGE OFFERS A WIDE CHOICE OF TANK AND FLOW OPTIONS WHERE MANUAL PORTABLE HYDRAULIC POWER IS REQUIRED.

All pumps have a low handle effort for ease of operation and large, easy to grip external pressure release knobs. All models (excluding P-235L) incorporate a convenient carry handle. For applications requiring a high 1st stage flow the P-2260 offers 30cc per stroke within a compact portable package. Durapac's pump range is a robustly built industry proven performer.



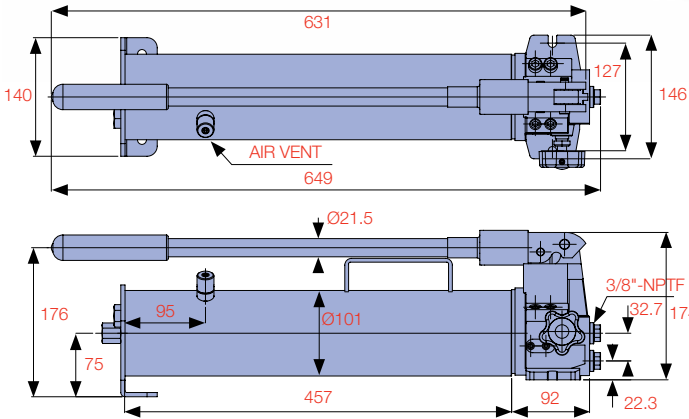
P-170



Model Number	Operation	Used with Cylinder	Valve Type	Pressure Rating (bar)		Usable Oil Capacity (cc)	Oil Volumes per Stroke (cc)		Oil Port Thread	Max. Handle Effort (kg)	Weight with Oil (kg)
				1st Stage	2nd Stage		1st Stage	2nd Stage			
P-235	Two Speed	S/A	2 Way	13.8	700	350	7.0	1.0	3/8" NPTF	34	5.5
P-235L	Two Speed	S/A	2 Way	13.8	240	350	13.0	2.8	3/8" NPTF	25	5.5
P-170	Single Speed	S/A	2 Way	700	-	700	3.1	-	3/8" NPTF	33	6.5
P-270	Two Speed	S/A	2 Way	13.8	700	700	13.0	2.8	3/8" NPTF	41	7.3
P-2200	Two Speed	S/A	2 Way	13.8	700	2,000	13.0	2.8	3/8" NPTF	35	11.5
P-2200D	Two Speed	D/A	4 Way	13.8	700	2,000	13.0	2.8	3/8" NPTF	37	11.5
P-2260	Two Speed	S/A	2 Way	28.0	700	2,600	30.0	3.0	3/8" NPTF	36	13.5



**P-2200**



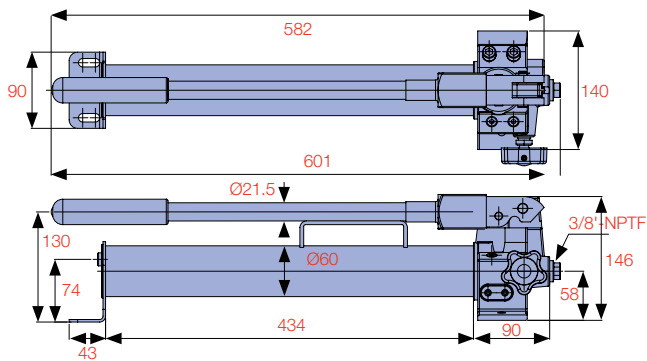
OIL CAPACITY  
**350 - 2,600 cc**

1ST STAGE FLOW RANGE  
**3.1 - 30 cc**

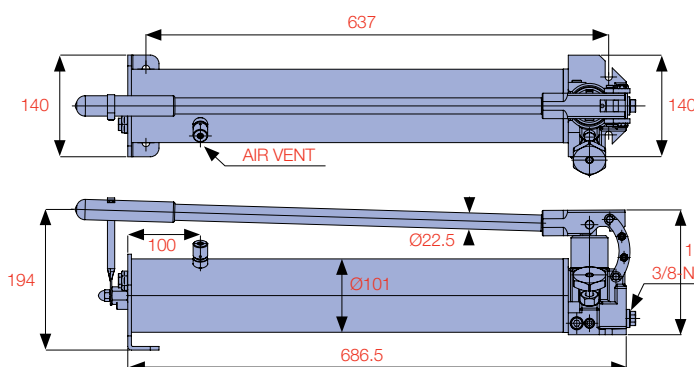
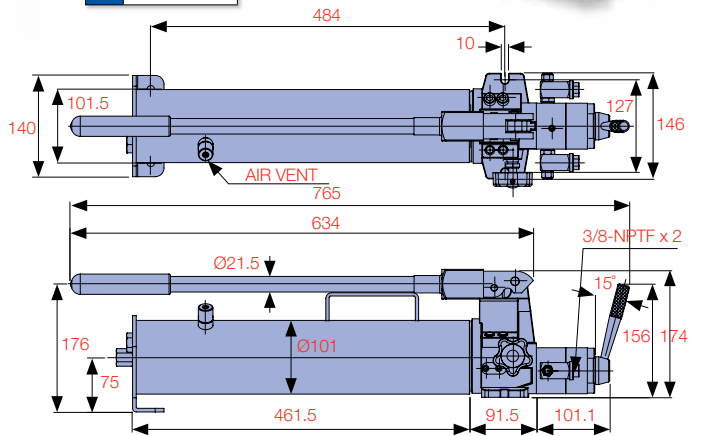
MAXIMUM OPERATING PRESSURE  
**240 / 700 bar**



**P-270**



**P-2200D**

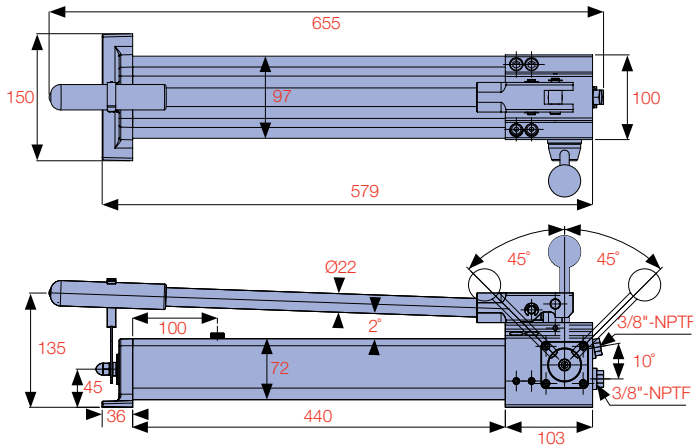


**P-2260**

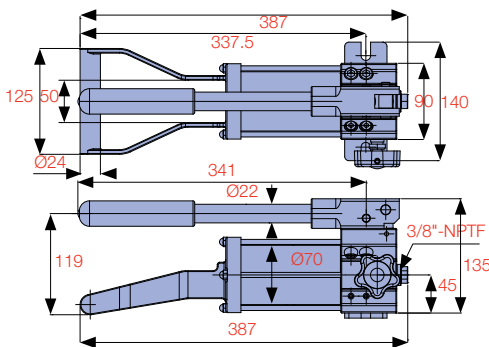
C  
PUMPS



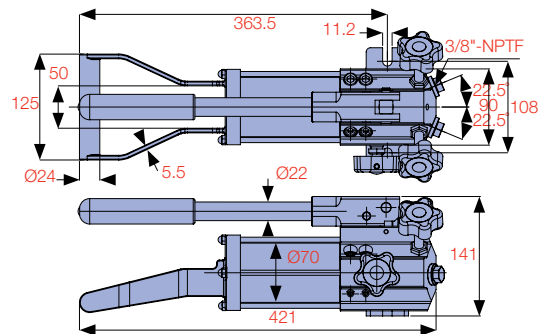
P-2200AD



P-235A



P-235AT

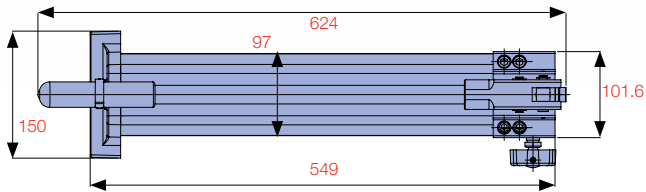


## THE P-SERIES ALUMINIUM BODIED MANUAL HAND PUMP RANGE IS THE ULTIMATE IN LIGHTWEIGHT PORTABLE POWER.

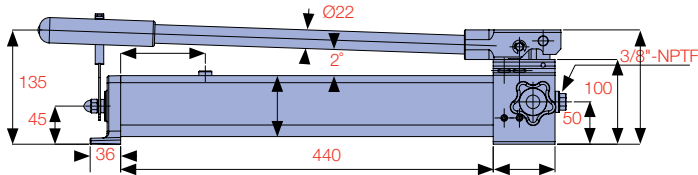
All feature low handle effort for ease of operation and large easy to grip external pressure release knobs. Both the P-235A and P-235AT models feature a sealed bladder reservoir which allows the pump to be used at any operating angle. The P-235AT features a twin outlet design and incorporates two needle valves within the pump head. In applications requiring ultra high pressure the P-2100H offers a working pressure up to 2,800 bar. Durapac's pump range is a robustly built industry proven performer.

Model Number	Operation	Used with Cylinder	Valve Type	Pressure Rating (bar)		Usable Oil Capacity (cc)	Oil Volumes per Stroke (cc)		Oil Port Thread	Max Handle Effort (kg)	Weight with Oil (kg)
				1st Stage	2nd Stage		1st Stage	2nd Stage			
P-235A	Two Speed	S/A	2 Way	13.8	700	350	3.9	0.59	3/8" NPTF	55	3.7
P-235AT	Two Speed	S/A	Twin Outlet	13.8	700	350	3.9	0.59	3/8" NPTF	55	3.8
P-2100H	Two Speed	S/A	2 Way	28.0	2,800	1,000	13.0	0.7	3/4"-16 UNF F	40	6.9
P-2200A	Two Speed	S/A	2 Way	14.0	700	2,000	13.0	2.8	3/8" NPTF	39	6.5
P-2200AD	Two Speed	D/A	4 Way	13.8	700	2,000	13.0	2.3	3/8" NPTF	38	7.5





P-2200A



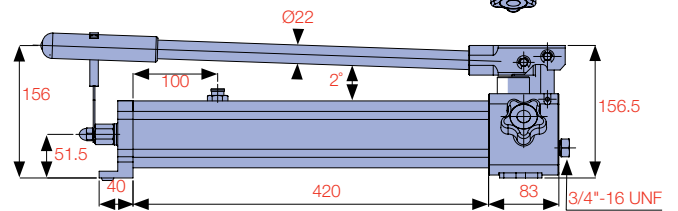
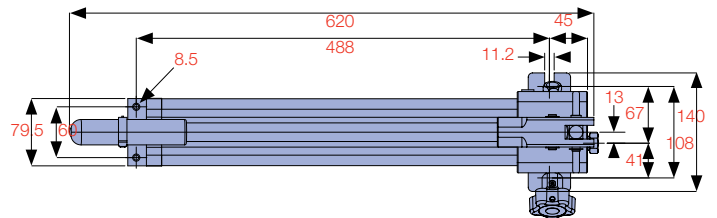
OIL CAPACITY  
**350 - 2,000 cc**

1ST STAGE FLOW  
**13 cc**

MAXIMUM OPERATING PRESSURE  
**700 / 2,800 bar**



P-2100H ULTRA HIGH PRESSURE 2,800 BAR WP



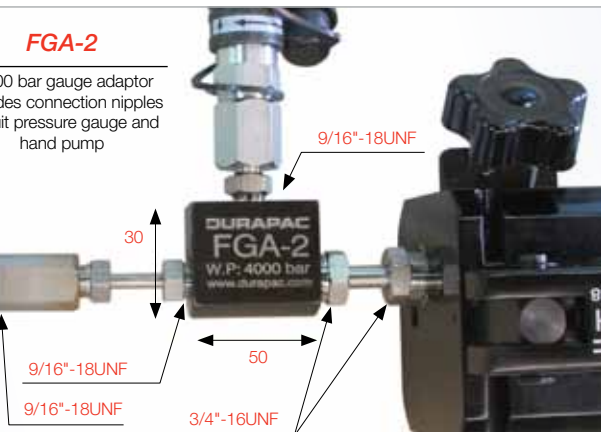
**PG-100-60K**

4,000 bar pressure gauge



**FGA-2**

4,000 bar gauge adaptor  
Includes connection nipples to suit pressure gauge and hand pump



**Did you know...**

Durapac offers high pressure gauges and a gauge adaptor to suit the P-2100H 2,800 bar hand pump.

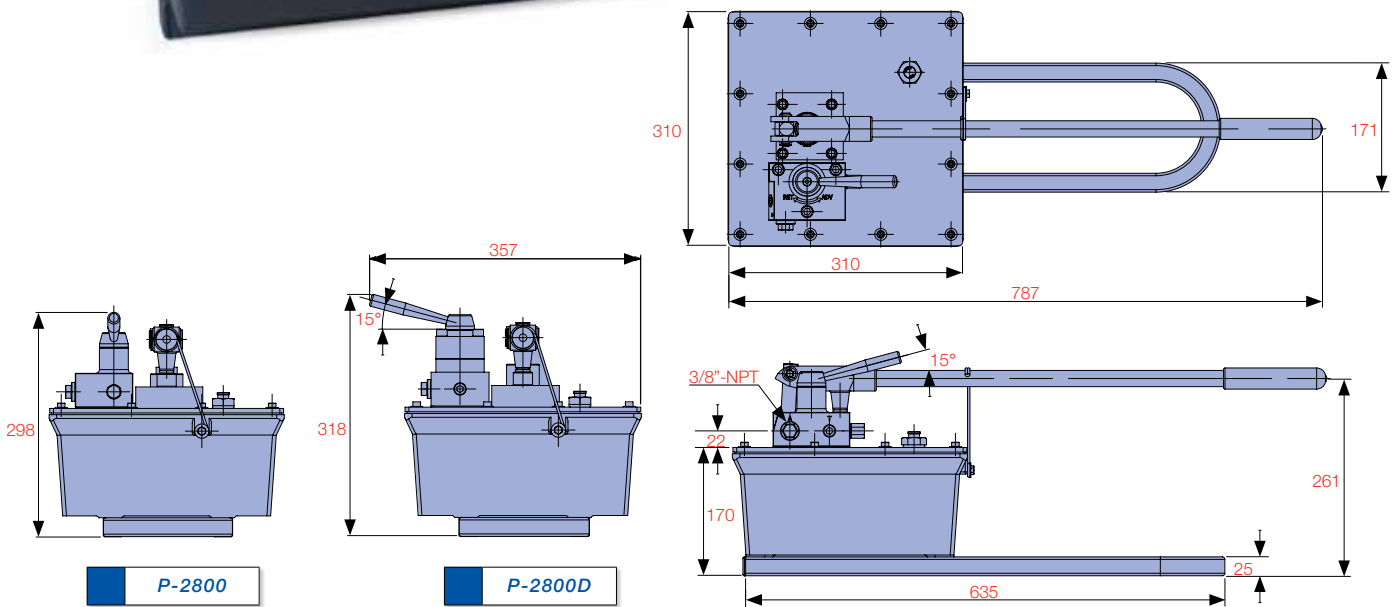


C

PUMPS

**DURAPAC'S HIGH FLOW MANUAL PUMP RANGE IS THE ULTIMATE IN HIGH PERFORMANCE 2 SPEED PORTABLE POWER.**

Ideally suited to operate high tonnage cylinders where conventional power sources are not available. Both models feature a first stage high flow of 113 cc per stroke for fast cylinder advance and retract and a high pressure power flow of 4 cc per stroke. Available with a 2 way valve for single acting applications or a 4 way valve for double acting applications. Durapac's pump range is robustly built and an industry proven performer.



Model Number	Operation	Used with Cylinder	Valve Type	Pressure Rating (bar)		Usable Oil Capacity (cc)	Oil Volumes per Stroke (cc)		Oil Port Thread	Max Handle Effort (kg)	Weight with Oil (kg)
				1st Stage	2nd Stage		1st Stage	2nd Stage			
P-2800	Two Speed	S/A	2 Way	27.5	700	8,000	113.0	4.0	3/8" NPTF	29	29.0
P-2800D	Two Speed	D/A	4 Way	27.5	700	8,000	113.0	4.0	3/8" NPTF	29	30.0